

# LUNDI 20 CARGO 3



## SADDLE

Selle Royal, Essenza Moderate Lady

## SEATPOST

Moustache, suspension + dropper, alloy 34.9mm, 60mm drop, 40mm travel, comfort and security

## SEATCLAMP

Moustache, alloy, 34.9mm

## HANDLEBAR

Moustache, Lundi custom ergonomic, alloy

## HEADSET

FSA, No 28/41 integrated

## GRIPS

Ergonomic, dual-density

## FRONT LIGHT

AXA, Blueline, 30 lux, powered by main battery

## REAR LIGHT

AXA, Duo Flat, increased brightness under deceleration, powered by main battery

## KICKSTAND

Moustache, central rear, wide stance for better stability

## MUDGUARD

Front: Moustache, alloy, double wall design, w/alloy stays and mudflap / Rear: PP, 180° lateral protection

## FRAME

Lundi 20 mid step-over, 6061 T4-T6 alloy, hydroformed and extruded triple cavity tubes for optimal stiffness. Integrated cable routing. Optimal geometry for stable handling and great manoeuvrability. Mounting points for optional front carrier

## CARRIER

Moustache, alloy, exclusive longtail design. Removable side fastenings for QL3 luggage. Platform with multiple MIK HD system to rapidly attach all compatible accessories, bags and child seats. Up to 70kg load capacity.

## FORK

Lundi, alloy w/integrated cable routing

## FRONT CARRIER

Optional extra: Moustache, alloy, compatible with MIK baskets and accessories, available in 2 sizes

## MOTOR

Bosch, Cargo Line, 250W, 85Nm

## PEDALS

alloy platform with reflectors

## BATTERY

Bosch, PowerPack 500Wh

## SIZES

TU

## ADDITIONAL BATTERY

Pas Dual

## COLORS

Black glossy

## WEIGHT

31kg

## AUTONOMY

106km

## GVWR

200kg

## CHARGER

Bosch, 4Ah

## WARRANTY

5 years frame and fork Moustache Bikes - 2 years motor, battery

## DISPLAY

Bosch, Intuvia central mount with separate control unit - « Walk assist » - Information available offline - USB port to charge a phone, MP3 player, etc.

## REAR DERAILLEUR

Shimano, Deore, RD-M5120-SGS, 10-11-speed

## CHAINRING

FSA, Narrow-Wide, 48 teeth, chainguard

## CASSETTE

Shimano, Deore, CS-M4100, 10-speed, 11-46T

## CHAIN

Shimano, HG54, 10-speed, 146 links

## SHIFTER

Shimano, Deore, SL-M4100-R, 10-speed

## CRANKS

Moustache, aluminium, 170mm

## FRONT BRAKE

Magura, MT4, hydraulic disc

## REAR BRAKE

Magura, MT4, hydraulic disc

## FRONT ROTOR

Magura, MDR-C, 203mm

## REAR ROTOR

Magura, MDR-C, 180mm

## FRONT HUB

Moustache, 32H, 15x110mm, thru axle

## REAR HUB

Moustache, 32H, 12x148mm, thru axle

## RIMS

Moustache, asymmetric, alloy 6061E, welded, 32 holes, 20", internal width 23mm

## TYRES

Kenda, 20x2.30



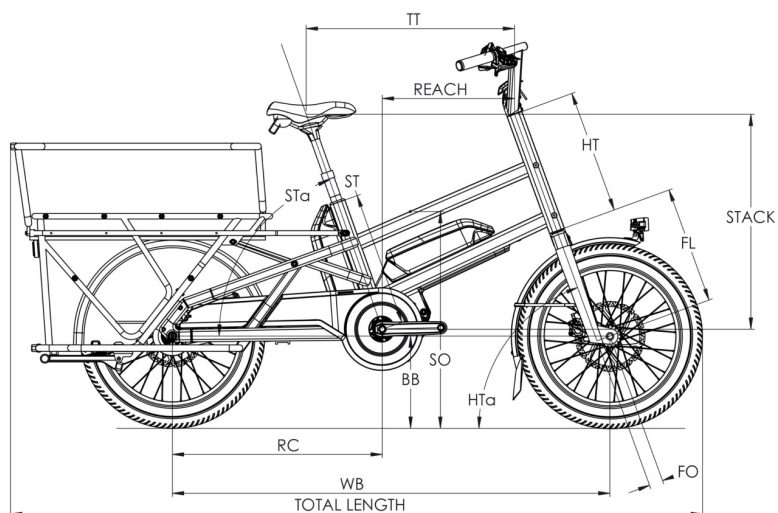
Scan to find this bike online

**{MOUSTACHE**

# LUNDI 20 CARGO 3



BIKE SIZE		FITTING SIZE (1,57m - 1,90m)
Seat Tube - ST	mm	390
Top tube (horizontal measure) - TT	mm	605
Rear Center - RC	mm	610
Head Tube - HT	mm	360
Wheel base - WB	mm	1270
Fork Length - FL	mm	340
Fork Offset - FO	mm	40
Bottom Bracket - BB	mm	288
Seat tube angle - Sta	°	70,5
Head tube angle - Hta	°	70
REACH	mm	384
STACK	mm	624
TOTAL LENGTH	mm	2000
Stand Over - SO	mm	630



Scan to find this bike online

**{MOUSTACHE**